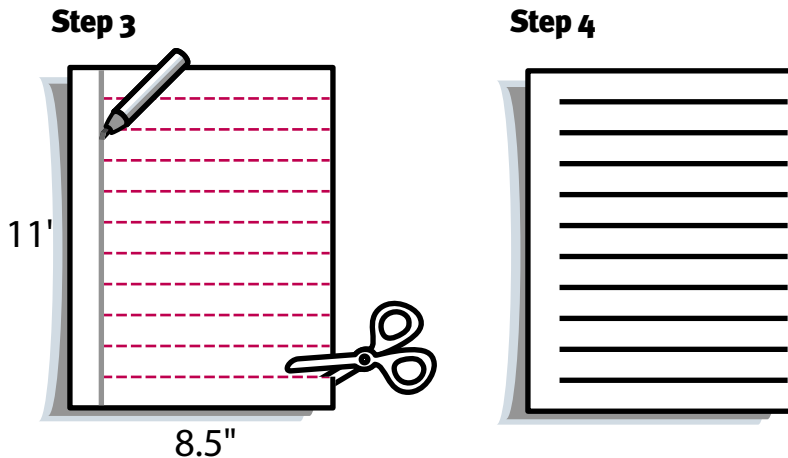
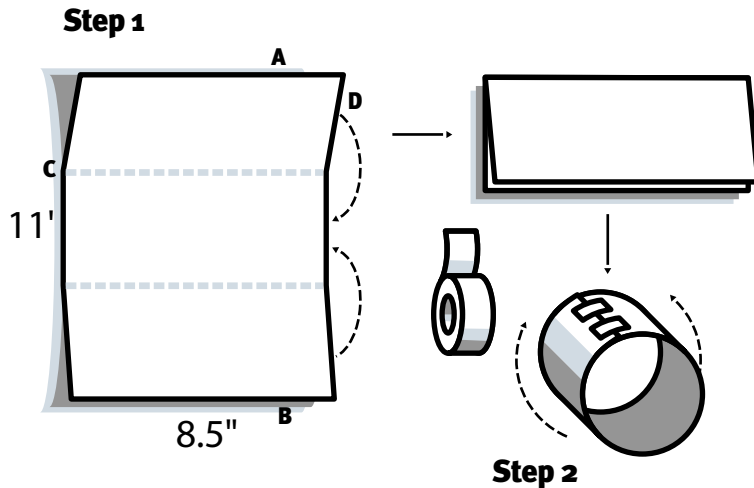


how to build a **wind sock**

A = top
B = bottom
C = left
D = right



TOOLKIT:

One sheet of 8.5 x 11-inch paper

One piece of 11 x 11-inch tissue paper

Clear tape

Scissors

Paper punch

One paper clip

Pencil

Ruler

Colored markers

Four feet of kite string

Pole

Magnetic compass

Step 1: Using one sheet of 8.5 x 11-inch paper, fold A down approximately $\frac{1}{3}$ toward the bottom. Fold B up approximately $\frac{1}{3}$ toward the top.

TIP: Use your imagination and decorate your windsock with stars, animals or your favorite colors!

Step 2: Bring C and D together and overlap ends by $\frac{1}{4}$ inch. Secure overlapping C and D with two pieces of clear tape on the outside. Make sure your decoration is on the outside.

Step 3: Using the 11 x 11-inch tissue paper, use a ruler and pencil to draw a vertical line from A to B, one inch to the right of C. With a ruler and pencil, measure horizontal lines one inch apart.

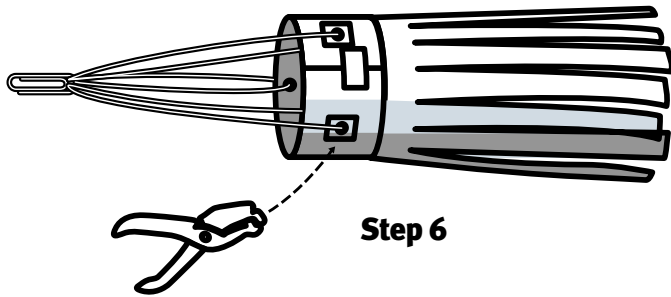
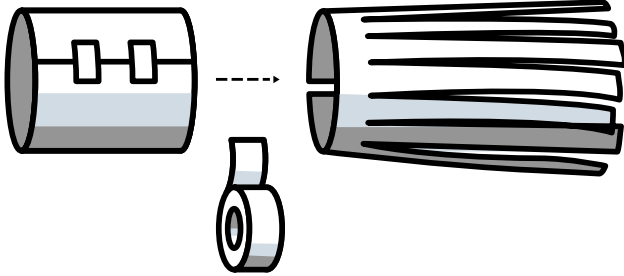
TIP: Have fun coloring each strip with cool colors.

Step 4: With scissors, cut horizontal lines from D to the vertical line drawn in step 3.

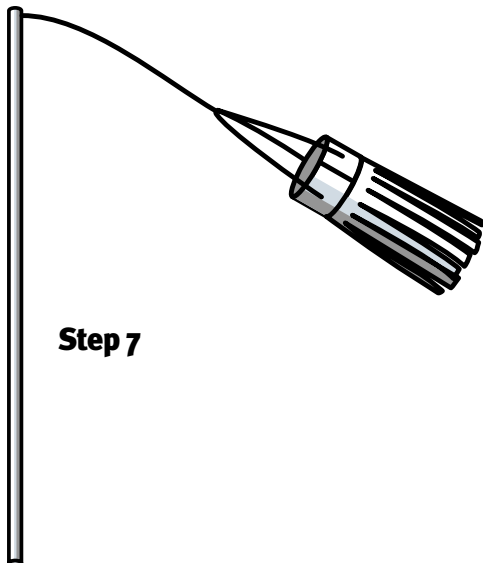
how to build a **wind sock**

(page 2)

Step 5



Step 6



Step 7

Step 5: Flip tissue paper over, color strips side down. Place end D of the tube approximately one inch from side C of tissue paper. Wrap A down over the tube, and secure with tape. Wrap B up over the tube, and secure with tape.

Step 6: With a hole punch, punch three evenly spaced holes approximately one inch from C end. Cut a 30 inch piece of string. Thread one end of the string through a paper clip and tie a knot. Loop the other end of the string through one hole in the windsock, then loop through the same end of the paper clip. Continue looping the string through the two other holes, returning to the paper clip after each hole. Tie the end of the string to the paper clip and pull tight.

Step 7:

Thread one end of the 18-inch piece of string through the opposite end of the paper clip and tie a knot. Secure a pole in the ground; tie the loose end of the string to the top of the pole.

page 1